



KAFFE
FASSETT
COLLECTIVE

for

Free Spirit

Wayfarer Tote- Dark

Featuring Kaffe Fassett Collective Fall 2016

Whether you're trekking to your favorite flea market or to markets around the world, this roomy tote is sure to hold all your treasures. The long shoulder strap makes for easy cross-body wearing—an added safety and comfort feature.

Collection: Kaffe Fassett Collective Fall 2016

Technique: Piecing, Sewing

Skill Level: Intermediate

Crafting Time: Weekend*

Finished Size: 17" x 31" (43.18cm x 78.74cm)

*Crafting time based on Intermediate skill level


Make it COATS

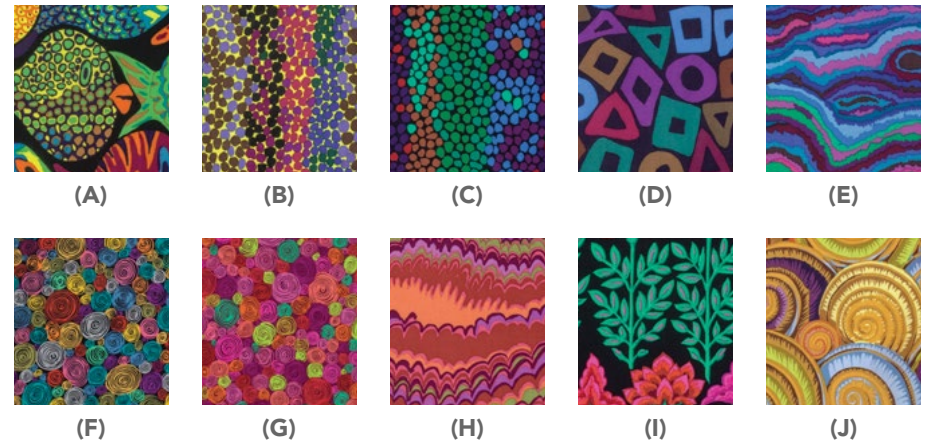
Wayfarer Tote-Dark



Project designed by Linda Turner Griepentrog

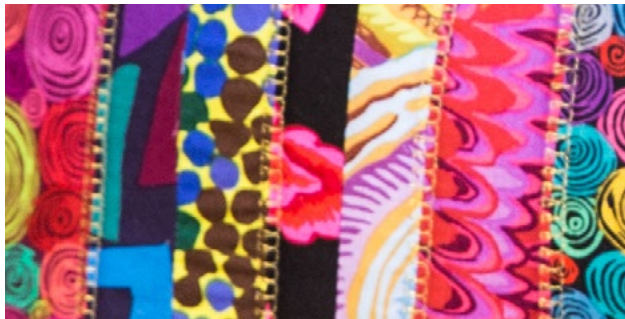
Fabric Requirements

DESIGN	COLOR	ARTICLE CODE	YARDAGE
(A) Shoal	Black	PWBM051.BLACK	⅓ yard (34.29cm)
(B) Pebble Mosaic	Bright	PWBM042.BRIGHT	1¼ yards (1.14m)
(C) Pebble Mosaic	Black	PWBM042.BLACK	¼ yard (22.86cm)
(D) Puzzle	Purple	PWBM057.PURPL	¼ yard (22.86cm)
(E) Jupiter	Blue	PWGP131.BLUEX	⅓ yard (11.43cm)
(F) Rolled Paper	Black	PWGP158.BLACK	⅓ yard (11.43cm)
(G) Rolled Paper	Red	PWGP158.REDXX	⅓ yard (11.43cm)
(H) End Papers	Red	PWGP159.REDXX	⅓ yard (11.43cm)
(I) Mughal	Black	PWGP161.BLACK	⅓ yard (11.43cm)
(J) Spiral Shells	Gold	PWPJ073.GOLDX	⅓ yard (11.43cm)



Additional Requirements

- Coats Dual Duty® All-purpose thread to match fabrics
- Coats® Metallic Gold thread
- 1 yard (.91m) single-sided fusible foam stabilizer
- (2) 3" (7.62cm) tassels
- Metallic or Embroidery needle, size 14
- Tote pattern
- Sewing machine
- Basic sewing and pressing supplies



Seam Topstitching



Wayfarer Tote-Dark



Preparation

Tape together the pieces for the tote pattern and cut out.

Cutting:

WOF=Width of Fabric
Cut pieces in order shown.

Fabric A, fussy-cut:

(1) 6" x WOF (15.24cm x WOF), centering motifs as desired along the strip height, for straps

Fabric B, cut:

(2) Tote Body pieces, for lining
(2) 7½" x 10" (19.05cm x 5.40cm), for straps
(2) 6½" (16.51cm) squares, for inside pocket

Note: Pocket finishes 6" [15.24cm] square. Resize if desired for your particular needs.

Fabric C, cut:

(1) 6" x 7" (15.24cm x 17.78cm), for handle wrap

Fabric D, cut:

(2) 6" (15.24cm) squares, for straps

Fabrics E-J, and the remainder of Fabrics A-D, cut:

Assorted strips 14" (35.56cm) long and 1"-2" (2.54cm-5.08cm) wide

Note: You will need enough strips for two pieced rectangles 14" x 19½" [35.56cm x 49.53cm].

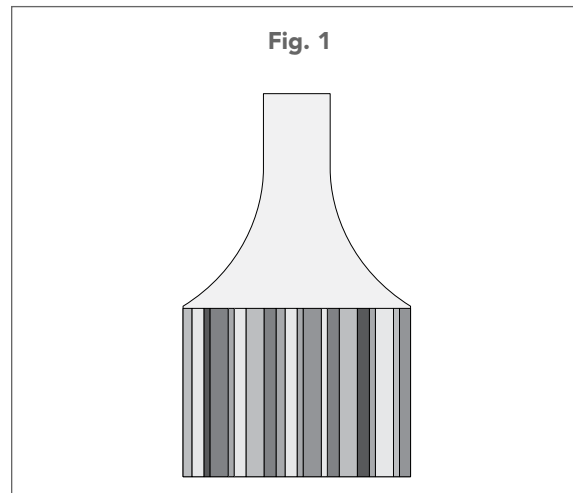
Fusible Foam, cut:

(2) Tote Body pieces

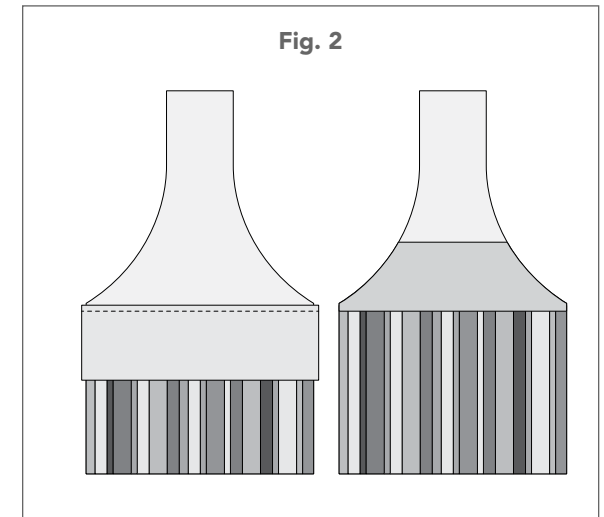
Sewing

Note: All seam allowances are ¼" (.64cm) and pieces are sewn right sides together, unless otherwise noted.

1. Randomly sew together the long edges of the 14" (35.56cm) **Fabric A-J** narrow strips to make (2) rectangles at least 19½" (49.53cm) wide. Press seams open.
2. Layer the pieced rectangle over the foam tote body, adhesive side up, matching lower edges. Following the manufacturer's instructions, fuse the rectangle in place (**Fig. 1**). Repeat for the other tote body piece. Trim edges to match the foam.



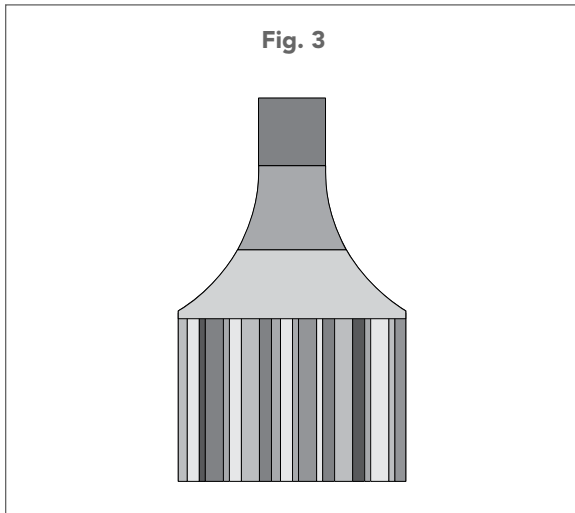
3. Topstitch some or all of the strip seams using metallic thread and either a decorative or straight stitch.
4. Place the long edge of the **Fabric A** strip right sides together along the upper edge of the pieced strips, placing the fabric motifs as desired. Sew along the length of the rectangle (**Fig. 2**). Flip the piece up and fuse in place. Trim to match the foam tote edges.



Wayfarer Tote-Dark

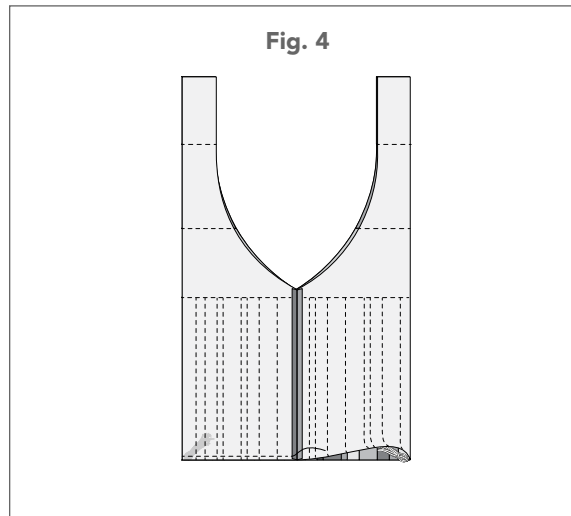


- Following step 4, repeat to center, sew, flip, and fuse the 7½" x 10" (19.05cm x 25.40cm) **Fabric B** rectangle above the **Fabric A** panel, and the 6" (15.24cm) **Fabric C** square above **Fabric B** (**Fig. 3**) to complete the tote half. Repeat for the opposite tote side.



- Topstitch the horizontal sectional seams using metallic thread and either a decorative stitch or straight stitching.
- Lay the halves of the tote right sides together and sew one center seam. Press the seam open. Topstitch the seam using metallic thread and either a decorative or straight stitch.
- Sew the remaining tote center seam, press, and topstitch in the same manner.

- Lay the center seams on top of each other and sew the tote bottom seam, inserting the tassel header snugly into each corner (**Fig. 4**). Stitch over the tassel areas twice to reinforce.



Lining Assembly

- Place the (2) 6½" (16.51cm) **Fabric B** squares right sides together and sew around the edges, leaving a 2" (5.08cm) opening in the lower edge for turning. Trim the corners, press the seams open and turn the pocket right side out through the opening. Poke out the corners.
- Sew one center seam in the **Fabric B** tote lining. Center the pocket over the seam 1¾" (4.45cm) below the upper edge. Edgestitch around three sides of the pocket, leaving the upper edge open, and closing the lower edge opening.

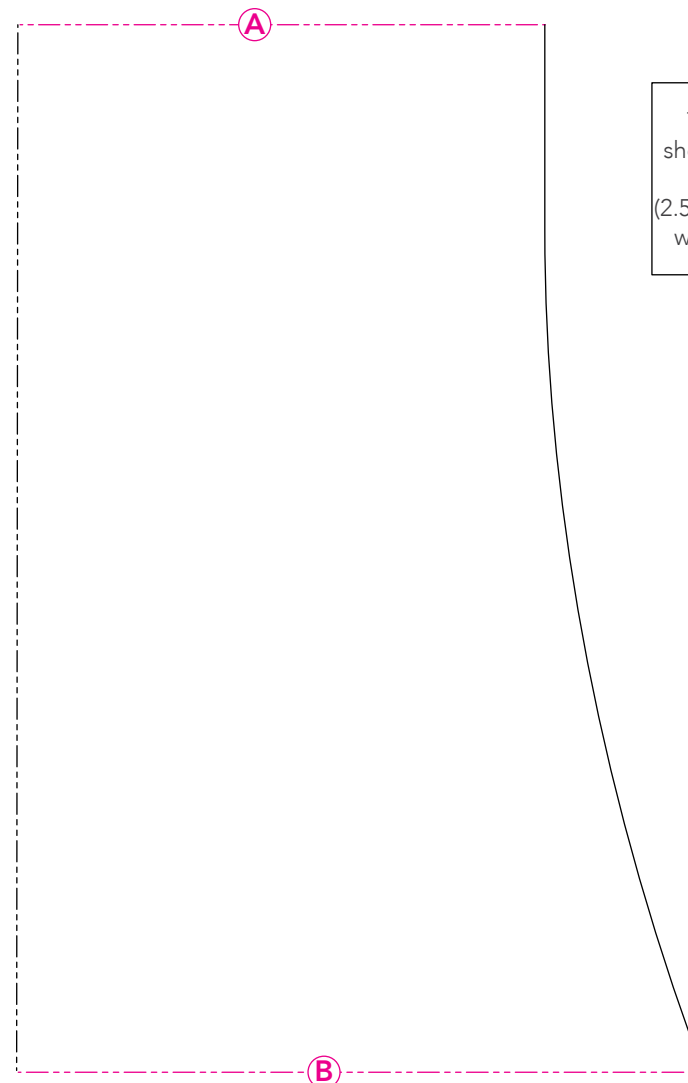
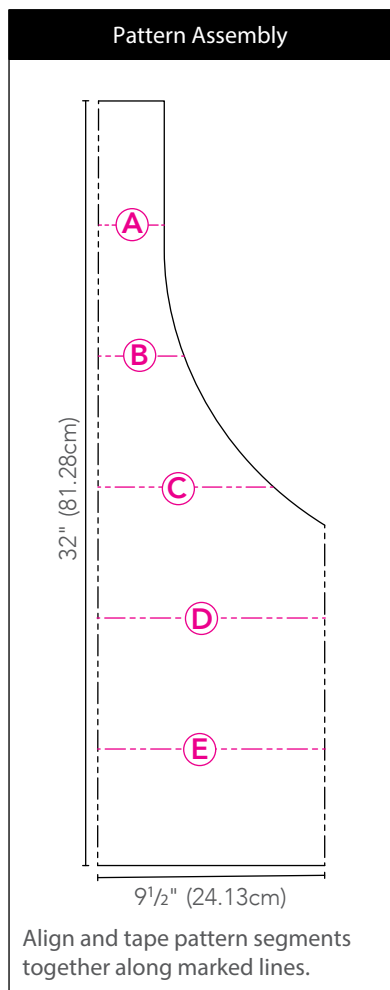
- Sew the other center lining seam and press the seam open.
- Lay both center seams on top of each other and sew the bottom seam, leaving a 6" (15.24cm) opening for turning.

Finishing

- With right sides together, slide the lining over the tote, matching all raw edges.
- Sew the tote and lining together along the curved edges, leaving the short straight handle ends unstitched. Trim the seam allowances and clip the curves. Turn the tote right side out and firmly press the edges, tucking the lining into the bag.
- Topstitch the strap edges ¼" (.64cm) from the edge, pivoting at the lower V opening above the center seams.
- With lining sides together, stitch the short handle edges together through all layers, being careful not to twist them. Pleat the handle upper center to make a finished width of 2" (5.08cm). Sew the pleat in place.
- Stitch the lining opening closed.
- To make the handle wrap, fold the 6" x 7" (15.24cm x 17.78cm) **Fabric C** rectangle in half and sew the short edges together. Turn and press.
- Wrap the rectangle tightly around the center of the handle, turn under the outer end and hand-stitch in place.



Wayfarer Tote-Dark

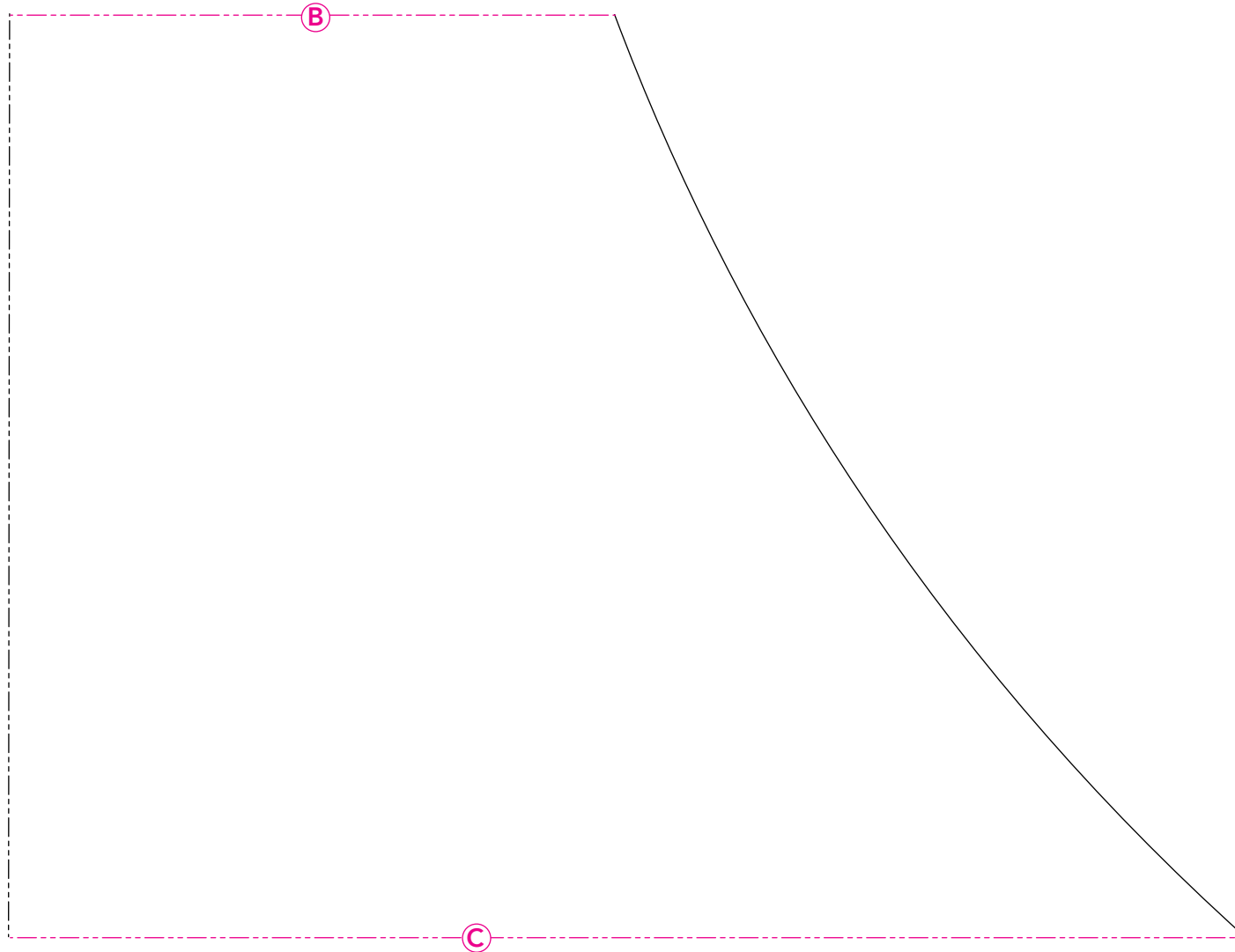


This square should measure 1" x 1" (2.54cm x 2.54cm) when printed.

*** Measure templates before cutting to confirm printing at 100%***



Wayfarer Tote-Dark



This square should measure 1" x 1" (2.54cm x 2.54cm) when printed.

*** Measure templates before cutting to confirm printing at 100%***



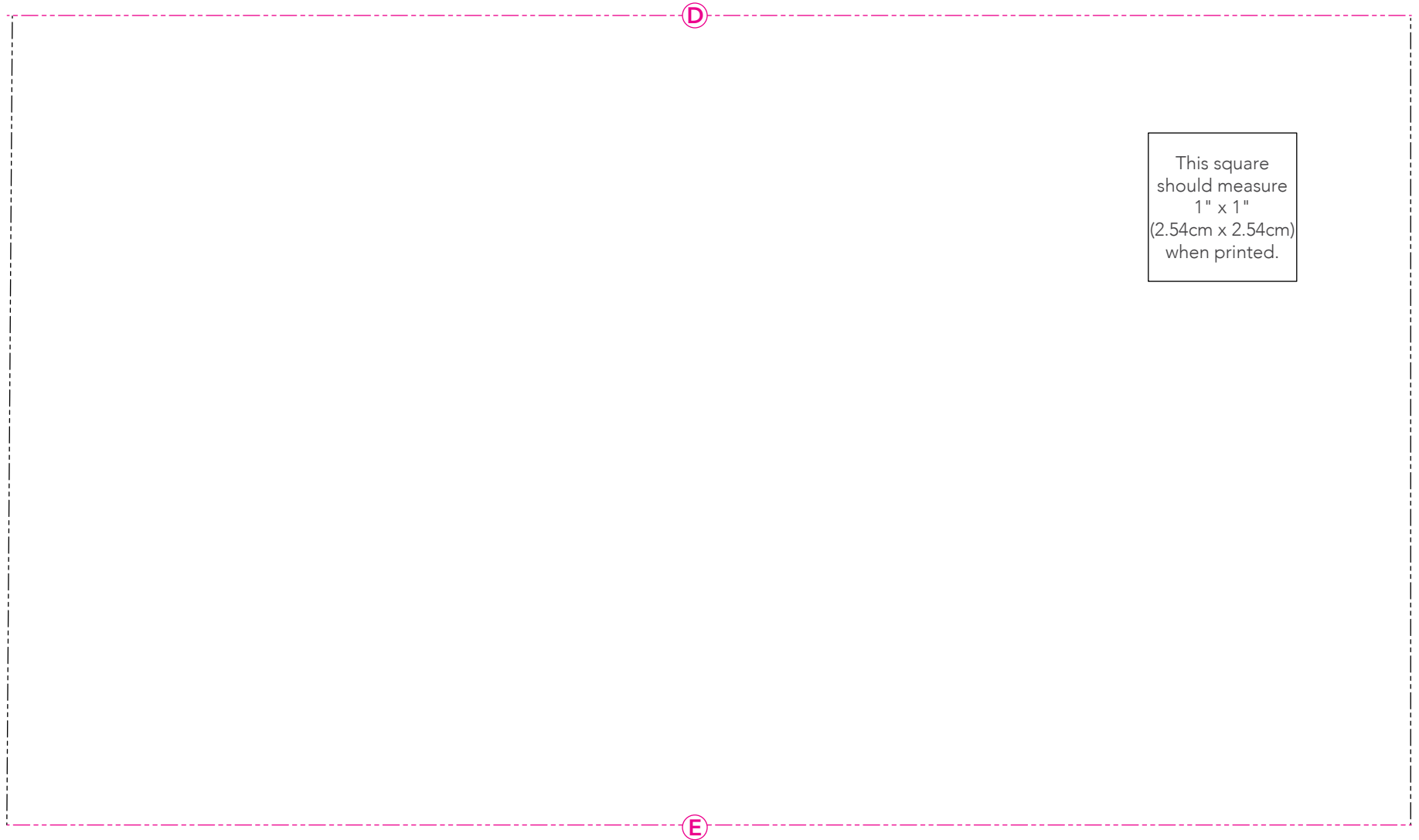
Wayfarer Tote-Dark



*** Measure templates before cutting to confirm printing at 100%***



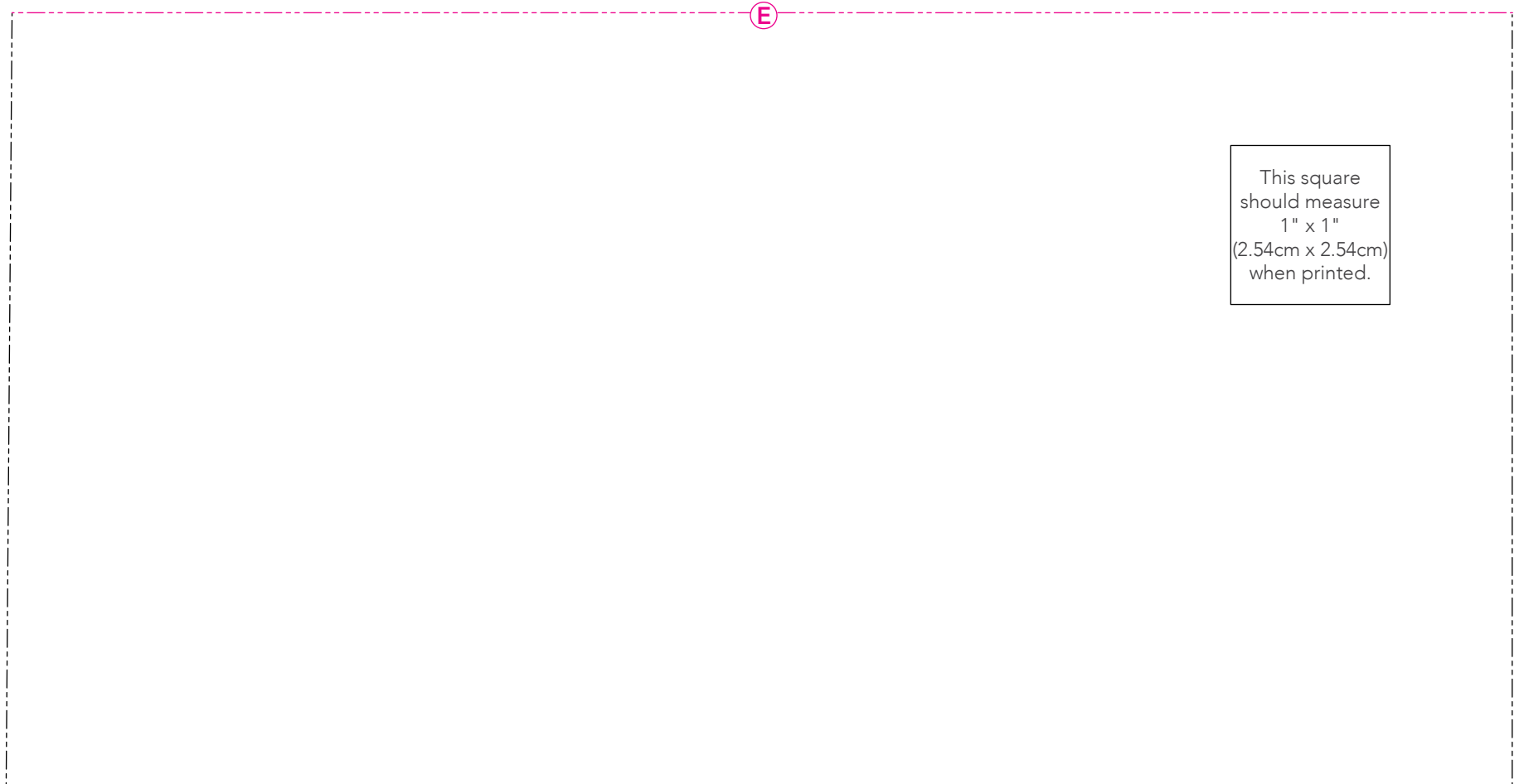
Wayfarer Tote-Dark



*** Measure templates before cutting to confirm printing at 100%***



Wayfarer Tote-Dark



*** Measure templates before cutting to confirm printing at 100%***

